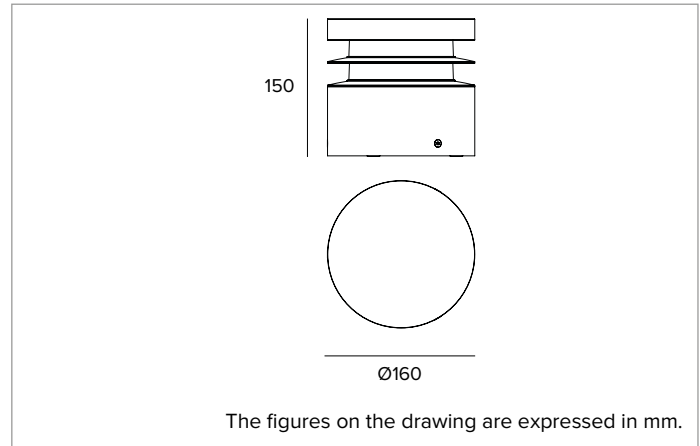
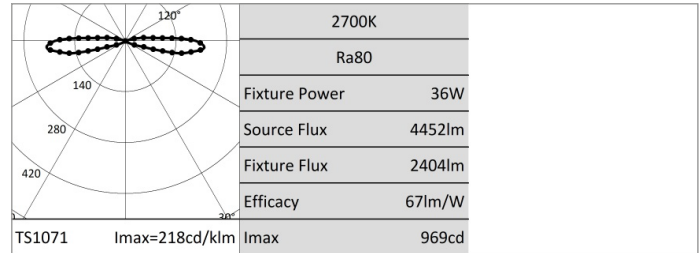
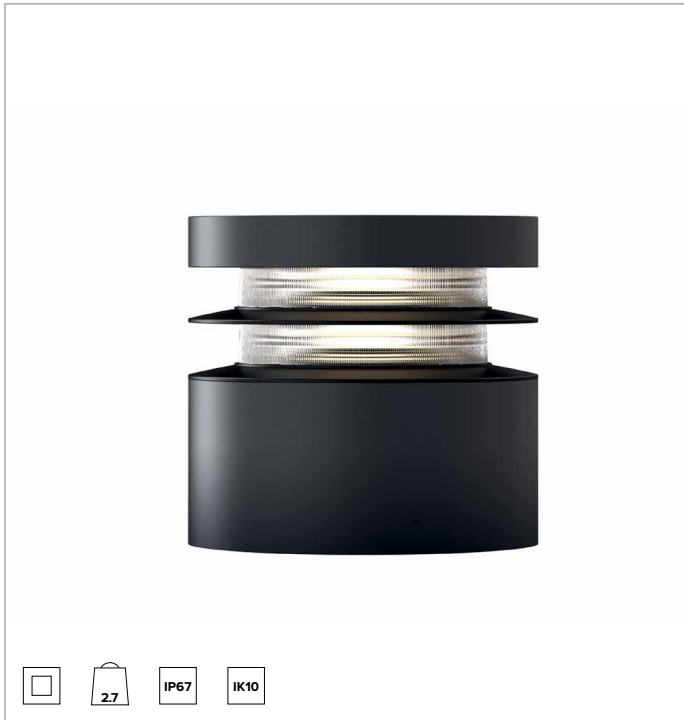


1E3189EL | FEBO EVO

Inground or wall LED fixture with grazing light effect



SOURCE

Circuit with multiple sources, mid-power LED with flip-chip technology, Ra>80. 3500K on request.

Energy efficiency class: E

Nominal power: 32W

Nominal flux: 4452lm

Colour rendering index: 80

CCT nominal: 2700K

SDCM: 2

Lifetime (L80/B10): >50000h tq +25°C

ILLUMINOTECHNICAL CHARACTERISTICS

Optical unit composed of a collimating toroidal lens in transparent, optical grade PMMA.

Emission: RADIAL

Beam angles: WFL

Optical efficiency: 54%

Fixture flux: 2404lm

Luminous efficacy: 67lm/W

Photobiological safety: Compliant with RG1 low risk group

MECHANICAL CHARACTERISTICS

Extruded aluminium body, die-cast aluminium optical head with black radial blades.

Colour and finish: Ferrite

Weight: 2.7Kg

Degree of protection: IP67

Mechanical Resistance: IK10

ELECTRICAL CHARACTERISTICS

Available with an integrated electronic ON-OFF power supply. Watertight connection system inside the fixture included.

Fixture Power: 36W

Power supply: 220-240Vac 50/60Hz

Insulation Class: CLASS 2

Type of driver / Control: ON-OFF

Driver included: YES

Class F: YES

Ambient temperature: -25°C / +35°C

NOTES

Uses the "Waterblock Plus" technical solution that involves resin coating the connection cables and completely resin coating the integrated driver limiting the risk of humidity reaching the fixture. It is possible to subject the product to Cataphoresis treatment on request.

WARRANTY

5 years.

WARNING

Luminaire designed for disposal/recycling at end-of-life. Non-replaceable light source. Replaceable control gear by a professional.

Due to the technological evolution of the electronic components, the data provided may be updated, and as such, confirmation must be requested during the order process.

Luminous flux and power supply have +/-10% tolerances with respect to the indicated value. tq +25°C (CIE 121).

We reserve the right to make technical changes.

Targetti Sankey S.r.l.
Via Pratese, 164
50145 Firenze - Italy
Tel: +39 055 37911
targetti.com
targetti@targetti.com

CCIAA Firenze
Share Capital:
€ 500.000,00
VAT N. (IT):
01537660480
R.E.A.: FI-275656

TARGETTI

1E3189EL | FEBO EVO

Inground or wall LED fixture with grazing light effect

Accessories

Shutter

Code

1E3399

120° shutter kit (with 4 cut zones that allow to shutter even 105°/90°/75°/60° angles).
Max. no. of kits per product: 2.

Tool



Code

1E3305

Tightening wrench for the connector kit.

Surge protector



Code

A013B

Surge protector compatible with CLASS II lighting fixtures and electronic drivers.
Operating voltage 220-240Vac.
SPD type 2+3.
Max surge protection 10kV.
CLASS II
IP67

Due to the technological evolution of the electronic components, the data provided may be updated, and as such, confirmation must be requested during the order process.

Luminous flux and power supply have +/-10% tolerances with respect to the indicated value. tq +25°C (CIE 121).

We reserve the right to make technical changes.

Targetti Sankey S.r.l.
Via Pratese, 164
50145 Firenze - Italy
Tel: +39 055 37911
targetti.com
targetti@targetti.com

CCIAA Firenze
Share Capital:
€ 500.000,00
VAT N. (IT):
01537660480
R.E.A.: FI-275656

TARGETTI